

TOP SIDE

- △ 7 SOLDER BATTERY HOLDER, THEN PLACE BATTERY, POSITIVE SIGN UP.
- △ 6 DO NOT INSTALL J13,C50,C279,C280,R36,R87,TC2-TC6,TC8,U40 AND U43 AT THIS TIME.
- △ 5 MOUNTING CLIPS ARE INCLUDED WITH HEATSINK.
- 4 FOR FAB DRAWING SEE 03-925087-00, FOR PART SEE 03-925087-01.
- 3 FOR A/W SEE 03-925088-00.
- 2 FOR SCHEM SEE 03-925089-00.
- △ 1 MARK CURRENT LEVEL REV IN AREA PROVIDED WITH PERMANENT TYPE NON-CONDUCTIVE BLACK INK.

NOTES: (UNLESS OTHERWISE SPECIFIED)

SHT 1 OF 6  
SHT 3 THRU 6 ARE A SIZE

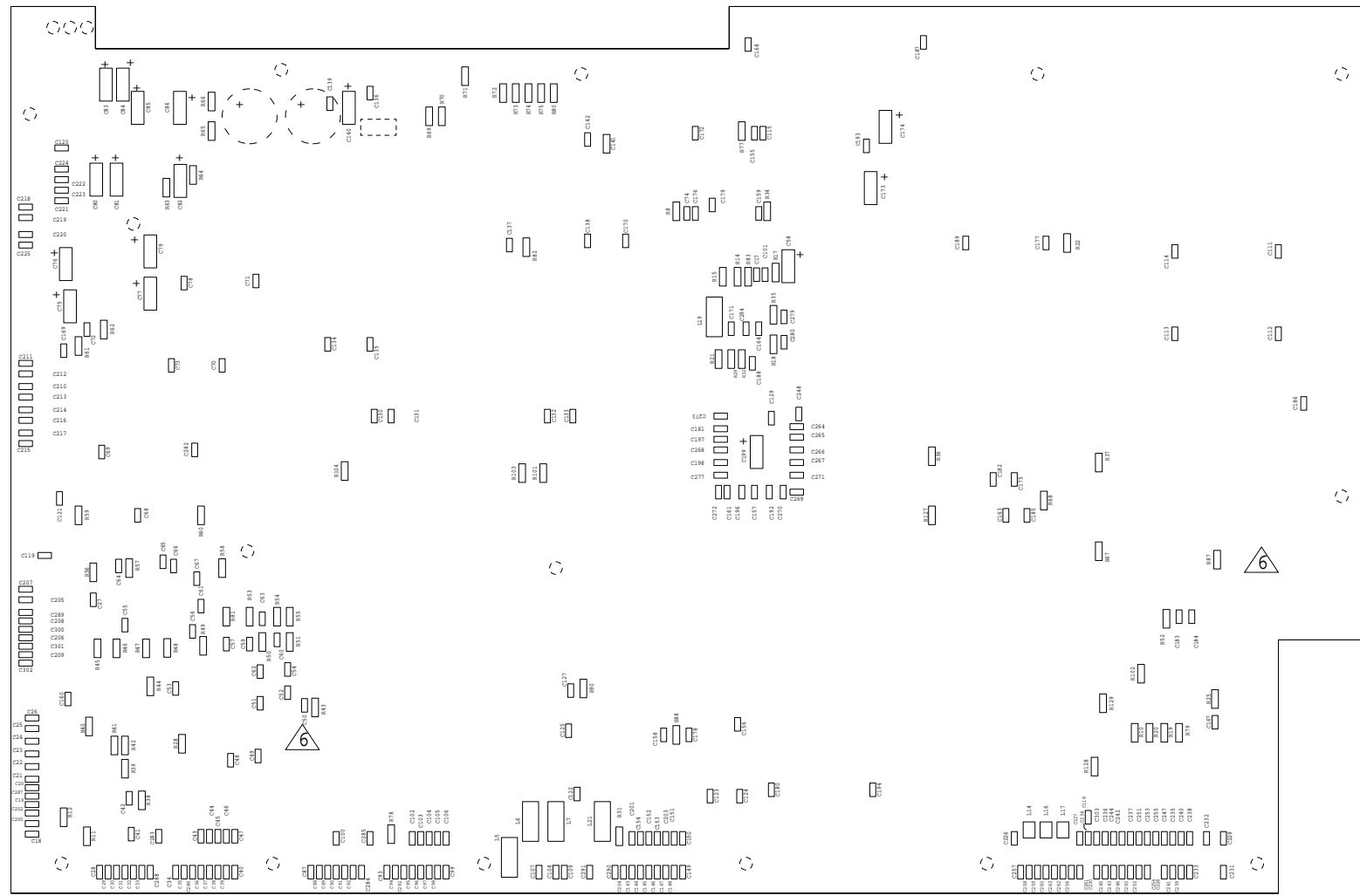
DO NOT SCALE DRAWING

REVISION	DATE	BY	CHKD	APP'D	DESCRIPTION
APVD					
ECO					
DPT	ST	ST	ST	ST	ST
CHK	ST	ST	ST	ST	ST
DATE	4-4-94	5-15-96	5-16-96	5-21-96	1-24-97
REV	C3	C4	C5	1	2

03-925086-01	REFURBISHED			
03-925086-01	NEW			
03-925086-00	DRAWING ONLY			
PART NUMBER DESCRIPTION				
DRAWN	DATE	APPROVED	DATE	CODE
SAL TEDESCO	2-20-96	J. WELSH	4-8-96	
CHECKED	DATE	APPROVED	DATE	CLASS
ST	4-4-96	J. WELSH	5-21-96	
ASSY, PWA, MAIN				
NOT OTHERWISE SPEC: ANQ#				
<b>varian</b>				
FULL	38	1 OF 5	D	03-925086-00
SCALE	DIV	SHEET	SIZE	DRAWING NO
				REV

DASH NO	TYPE OR MODEL	NEXT ASSEMBLY

QTY	PART NUMBER	DESCRIPTION OR MATERIAL	ITEM
-----	-------------	-------------------------	------



BOTTOM SIDE

SHT 2 OF 5  
SHT 3 THRU 5 ARE A SIZE

DO NOT SCALE DRAWING

DESCRIPTION OF CHANGE	DATE	BY	REASON
APVD			
ECO			
DFT			
CHK			
DATE			
REV			

PART NUMBER		DESCRIPTION		
DRWN	DATE	APPROVED	DATE	CODE
SAL TEDESCO	2-20-96	J. MARINO F. FALLI	4-8-96	
CHECKED	DATE	APPROVED	DATE	CLASS
ST	4-4-96	J. MARINO E. KLEE	5-21-96	
<b>ASSY, PWA, MAIN</b>				
NOT OTHERWISE SPEC: ANG±				
<b>varian</b>				
FULL	38	2 OF 5	D	03-925086-00 4
SCALE	DIV	SHEET	SIZE	DRAWING NO
				REV

**PWA: Main PWA**  
**ASSEMBLY: 03-925086-01**  
**DATE: 2/24/97**  
**REV: 4**

Sheet: 3 of 6

<u>Item</u>	<u>Ref Designator</u>	<u>Qty</u>	<u>Part Number</u>	<u>Part Description</u>
1		1	03-925087-01	FAB,PWA,Main
2	AR1-4	4	62-602877-00	AMP,LF412CD,DUAL_OPAMP,SMT
3	AR5	1	62-603151-00	AMP,LM358M,DUAL_OPAMP,SMT
4	AR6	1	62-603156-00	AMP,OP-07CS,OPAMP,SMT
5	B1	1	74-122901-00	BATTERY,LITHIUM,3.0V
6	BH1	1	22-117100-00	HOLDER,BATTERY
7	C1-12	12	41-708921-00	CAP,0.047UF,100V,10%,POLYPRO
8	C13	1	41-503914-00	CAP,47UF,25V,20%,AL.ELECT
9	C14-15	2	41-503939-00	CAP,2200UF,35V,20%,AL,LOW_ESR
10	C16	1	41-764917-00	CAP,0.1UF,63V,10%,MYLAR
11	C17, C34-35, C42, C48-49, C51-53, C57, C59-60, C64, C67-74, C78, C93-94, C101, C107-109, C111-116, C118-139, C142-143, C155-172, C175-198, C201, C226-232, C248, C264-273, C277, C281-282, C284, C286, C288, C290-295	131	41-803000-00	CAP,CHIP,0.1UF,50V,20%,CER
12	C18-26, C28-33, C62-63, C87-92, C144-145, C152, C200, C202-203, C206-225, C283, C285, C287, C300-303	56	41-801004-00	CAP,CHIP,1000P,50V,5%,CER,COG
13	C27, C36, C39, C43-44, C46-47, C54-56, C61, C65-66, C95, C98, C102-103, C105-106, C256-263	27	41-801101-00	CAP,CHIP,100PF,100V,5%,CER,COG
14	C37-38, C40-41, C45, C96-97, C99-100, C104, C146-151, C153-154, C204-205, C233-247, C250-255, C289	42	41-801102-00	CAP,CHIP,220PF,100V,5%,CER,COG
15	C58, C199	2	41-304301-01	CAP,10MF,35V,TA,20%,SMT
16	C75-77, C79-86, C140, C173-174	14	41-304309-00	CAP,CHIP,4.7UF,35V,20%,TA
17	C110	1	41-516733-00	CAP,330MF,10V,AL
18	C141	1	41-715113-00	CAP,CHIP,10PF,100V,5%,CER,COG
19	CR1	1	66-393210-00	DIODE,MBR745,7.5A,45V,SCHOTTKY
20	CR2-5, CR8, CR10	6	67-599330-00	LED,GRN,DIFFUSED,LO_PWR,2MA
21	CR6-7	2	67-599308-00	DIODE,LED,RED,HI-EFF.
22	CR9	1	67-599305-00	LED,YEL,DIFFUSED,LO_PWR,2MA
23	HS1-2, HS4	3	66-901050-00	HEATSINK,T0-220,TH6072B-MT-SF1
24	HS3, HS5	2	66-901013-00	HEATSINK,T0-220,TH6073B-SF1
25	J1-3	3	51-408531-00	CON,PC,2X22,CRDEDG,AMP530843-4
26	J4-5	2	51-340032-00	CON,PC,25DSOC,AMP747846-4
27	J6	1	51-340126-00	CON,PC,15SOC,AMP747845-4

**PWA: Main PWA**  
**ASSEMBLY: 03-925086-01**  
**DATE: 2/24/97**  
**REV: 4**

Sheet: 4 of 6

<u>Item</u>	<u>Ref Designator</u>	<u>Qty</u>	<u>Part Number</u>	<u>Part Description</u>
28	J7	1	51-408773-00	CON,PC,20P,RTANGL,AMP103166-8
29	J8-9	2	51-210301-00	CON,PC,34HDR,3M2534-5002-UB
30	J10	1	51-210300-00	CON,PC,40HDR,3M2540-5002UB
31	J11	1	51-411149-00	CON,PCCARD,4PIN,MOLEX
32	J12	1	51-209299-00	CON,26HDR,3M2526-60002-UB
33	J15	1	51-406045-00	CON,96S,DIN,TYP,AMP535089-4
34	J17	1	51-210307-00	CON,PC,50HDR,3M2550-5002UB
35	J18	1	54-555037-00	CON,SIMM,AMP822031-4
36	K1-2, K5	3	72-920347-00	RELAY,REED,SPST,5V
37	L1	1	43-300013-00	INDUCTOR,5.6UH,1.6A,RF_CHOKE
38	L2	1	43-111860-00	INDUCTOR,68UH,5A,SWINGING_CHOKE
39	L3-10, L19-21	11	43-900452-00	FERRITE,SMT,EMI_TYPE
40	L11-12, L14-18	7	43-300529-00	INDUCTOR,1.5UH,10%,410MA
41				
42	MP1	1	76-998817-00	IC,MPX4115,BAR_PRES_SENSOR,15-115
43	Q1	1	62-990742-00	XSTR,SMT,MJD31,NPN
44	R1, R5-6, R9, R84-86, R91, R95-100, R121-122	16	35-790007-00	RES,NET,SMT,15X4700,2%
45	R2	1	35-790005-00	RES,NET,SMT,220KX8,2%
46	R3	1	35-790010-00	RES,NET,SMT,1KX8,0.1%
47	R4	1	03-925257-01	RES,NET,CUSTOM,ADC
48	R7, R16, R124-126	5	35-790006-00	RES,NET,SMT,220X8
49				
50	R10, R19-20, R52, R68, R72-75, R79-80	11	31-403230-00	RES,CHIP,1.5K,1/8W,1%,100PPM
51	R11, R38	2	31-403505-00	RES,CHIP,4.99M,1/8W,1%,100PPM
52	R12	1	31-403405-00	RES,CHIP,100K,1/8W,1%,100PPM
53	R14	1	31-403501-00	RES,CHIP,1.00M,1/8W,1%,100PPM
54				
55	R15, R17, R33, R35, R128	5	31-403088-00	RES,CHIP,49.9,1/8W,1%,100PPM
56	R21, R23, R34, R37, R43, R82, R127	7	31-403278-00	RES,CHIP,4.75K,1/8W,1%,100PPM
57	R22, R25, R63, R76, R78, R90	6	31-403150-00	RES,CHIP,221,1/8W,1%,100PPM
58	R24, R26, R18, R27	4	31-403071-00	RES,CHIP,33.2,1/8W,1%,100PPM
59	R28	1	31-403381-00	RES,CHIP,56.2K,1/8W,1%,100PPM
60	R29, R32, R53, R67, R81, R102- 104	8	31-403117-00	RES,CHIP,100,1/8W,1%,100PPM
61	R39	1	31-403205-00	RES,CHIP,825,1/8W,1%,100PPM
62	R40	1	31-403155-00	RES,CHIP,249,1/8W,1%,100PPM
63	R41, R129	2	31-403309-00	RES,CHIP,10.0K,1/8W,1%,100PPM
64	R42	1	31-403251-00	RES,CHIP,2.49K,1/8W,1%,100PPM

**PWA: Main PWA**  
**ASSEMBLY: 03-925086-01**  
**DATE: 2/24/97**  
**REV: 4**

Sheet: 5 of 6

<u>Item</u>	<u>Ref Designator</u>	<u>Qty</u>	<u>Part Number</u>	<u>Part Description</u>
65	R44	1	31-403001-00	RES,CHIP,4.75,1/8W,1%,100PPM
66	R45, R47, R58	3	31-403275-00	RES,CHIP,4.42K,1/8W,1%,100PPM
67	R8, R46, R48, R57, R61-62, R77, R88	8	31-403184-00	RES,CHIP,499,1/8W,1%,100PPM
68	R49, R56, R59-60	4	31-403438-00	RES,CHIP,221K,1/8W,1%,100PPM
69	R31, R50	2	31-403021-00	RES,CHIP,10,1/8W,1%,100PPM
70	R51	1	31-403257-00	RES,CHIP,2.87K,1/8W,1%,100PPM
71	R54	1	31-403213-00	RES,CHIP,1.00K,1/8W,1%,100PPM
72	R55	1	31-403301-00	RES,CHIP,8.25K,1/8W,1%,100PPM
73	R64	1	31-403198-00	RES,CHIP,698,1/8W,1%,100PPM
74	R66	1	31-403338-00	RES,CHIP,20K,1/8W,1%,100PPM
75	R69	1	31-403246-00	RES,CHIP,2.21K,1/8W,1%,100PPM
76	R70	1	31-403256-00	RES,CHIP,2.8K,1/8W,1%,100PPM
77	R71	1	31-403242-00	RES,CHIP,2K,1/8W,1%,100PPM
78	R83	1	31-403167-00	RES,CHIP,332,1/8W,1%,100PPM
79	R89	1	31-402145-00	RES,MF,220,2W,5%,200PPM
80	R94	1	35-790016-00	RES,NET,SMT,068X8
81	S1	1	71-996983-00	SWITCH,DIP,4PST
82	S2-3	2	71-218733-00	SW,PB,MC,NO,C&K_KT11P4CM
83	TC7	1	51-407224-00	HDR,JMPR,2X6,MOLEX_10-96-7125
84	TP1-2	2	51-451867-00	JUMPER,TEST_POINT,PC_MOUNT
85				
86	U1, U36	2	62-603215-00	IC,LT1134CS,LINEAR_TECHNOLOGY
87	U2, U106	2	62-603076-00	IC,74HC251M
88	U3, U12	2	62-603153-00	IC,DG211DY,QUAD_ANALOG_SW
89	U4, U10, U15	3	62-603158-00	IC,74HC4051WM,ANALOG-MUX
90	U5-6	2	62-603162-00	IC,74HCT541
91	U7, U11, U102	3	62-603225-00	IC,74HC245
92	U8, U29, U32, U44-45	5	62-603152-00	IC,74HC14M
93	U9	1	62-603157-00	IC,AD587JR,+10V_REF
94	U13	1	62-603358-00	IC,CS5509AS,ADC,16BIT
95	U14, U16	2	62-603154-00	IC,DG508ADY,MUX_8_CH
96	U17	1	62-602977-00	IC,LT1074CT,SWITCHING_REG
97	U18	1	62-602961-00	IC,NM93C66M8,EEPROM,4K,NATIONAL
98	U19	1	62-603394-00	IC,DS1202S8,DALLAS_SEMICONDUCTOR
99	U20	1	62-603399-00	IC,74HC540
100	U21	1	03-910763-01	IC,FPGA,X3
101	U22, U23	2	62-603083-00	IC,MC68681FN,MOTOROLA,DUART
102	U24	1	03-910762-01	IC,FPGA,X2
103	U25	1	62-602857-00	IC,74HC138M

PWA: **Main PWA**  
ASSEMBLY: **03-925086-01**  
DATE: **2/24/97**  
REV: **4**

Sheet: 6 of 6

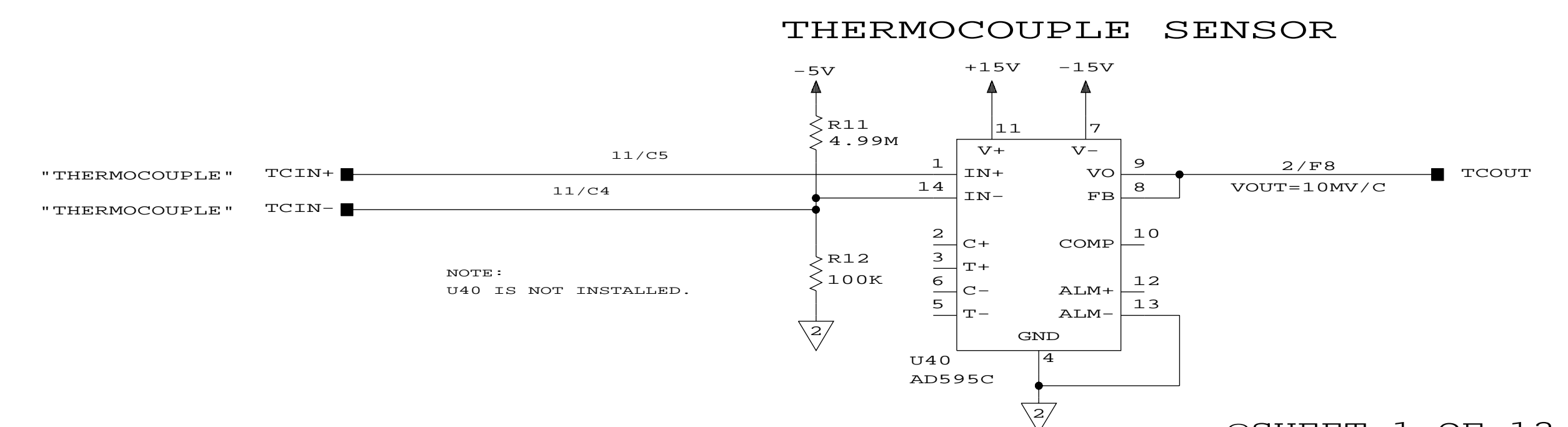
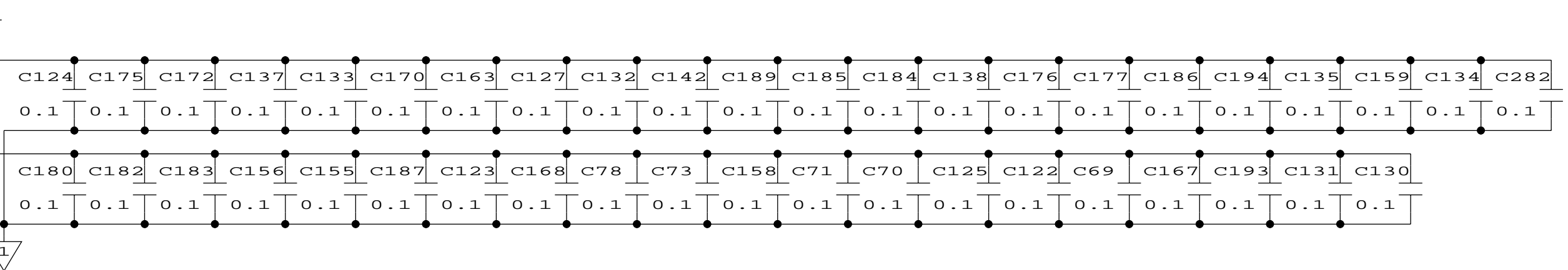
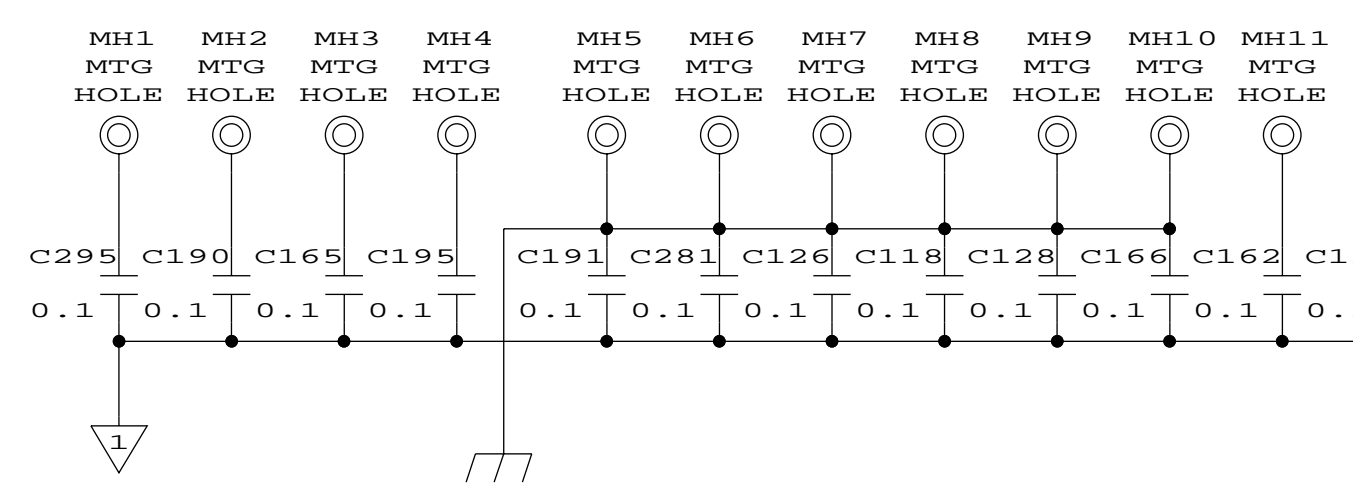
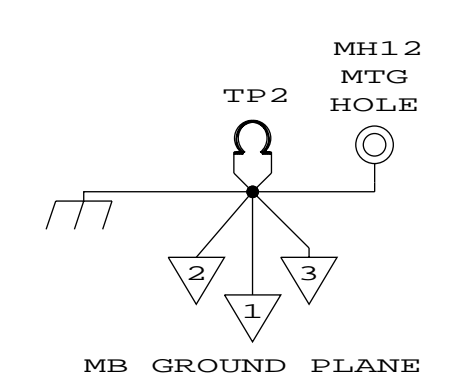
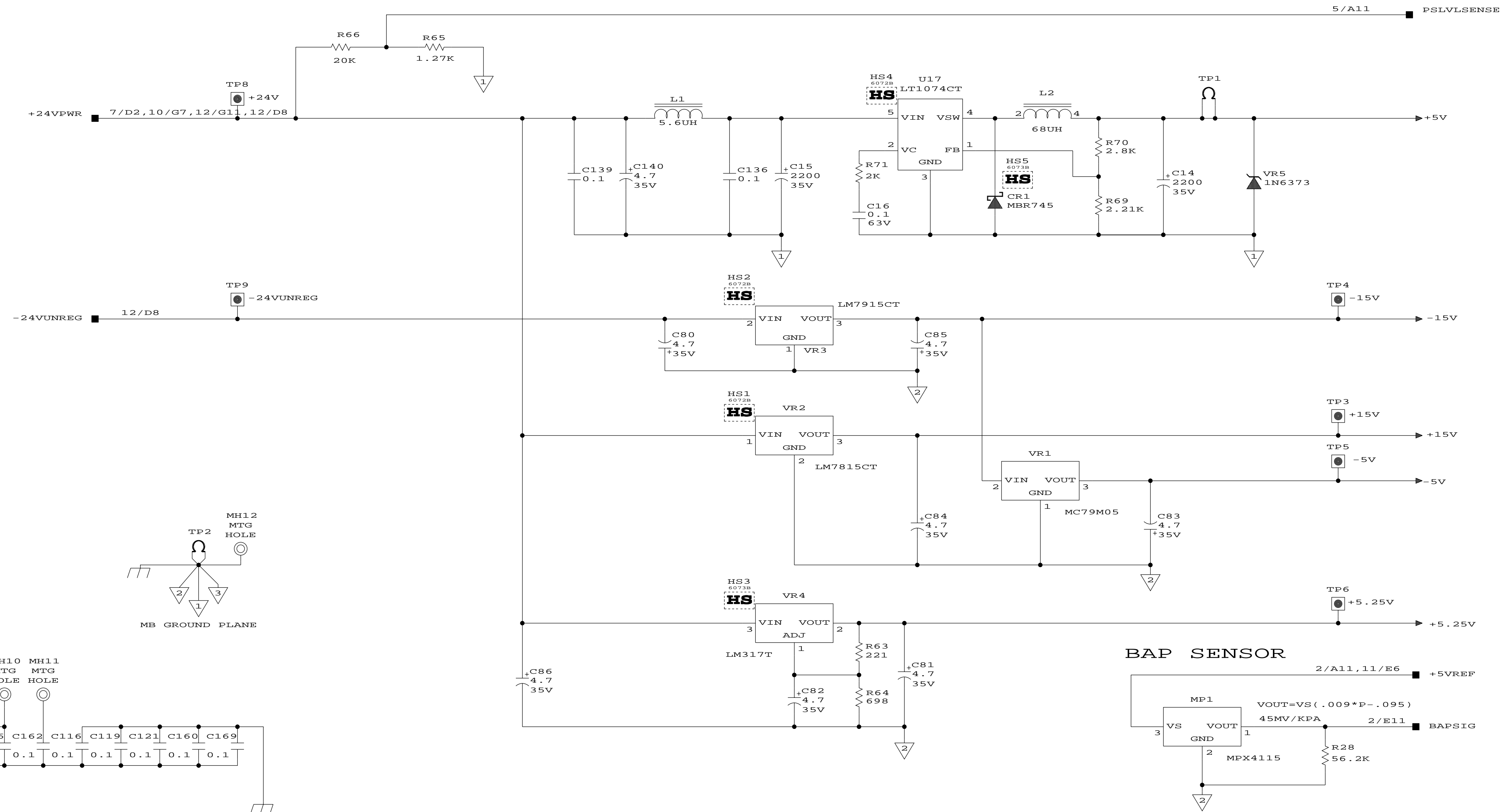
<u>Item</u>	<u>Ref Designator</u>	<u>Qty</u>	<u>Part Number</u>	<u>Part Description</u>
104	U26-28, U33, U46, U105	6	62-603227-00	IC,74HC574
105	U30	1	62-603419-00	IC,MC68EC040FE25B,MOTOROLA
106	U31	1	62-603075-00	IC,74HC393
107	U34-35	2	62-603216-00	IC,75477
108	U37-38, U103-104	4	62-603079-00	IC,SAMSUNG,KM681000LG-L,STATIC-RA
109	U39	1	62-603477-01	IC,FPGA,XILINX,XC3164A-5PQ160C
110				
111	U41	1	03-910746-01	IC,PLD22V10,62-603229-00
112	U42	1	62-603219-00	IC,74LS374
113	U48	1	62-603213-00	IC,MAX791CWE,MAXIM,UP_SUPERVISOR
114	U52	1	03-910764-01	IC,FPGA,X4
115	U101	1	62-603417-00	IC,MC88920,CLOCK_DRIVER,PPL
116	VR1	1	62-603150-00	IC,MC79M05CDT,-5.0V,LINEAR_REG
117	VR2	1	62-600496-00	IC,LM7815CT,LINEAR_REG,+15V
118	VR3	1	62-600484-00	IC,LM7915CT,LINEAR_REG,-15V
119	VR4	1	62-600876-00	IC,LM317T,ADJ_LINEAR_REG
120	VR5	1	55-400021-00	DIODE,ZENER,T.SUPPRESS,1N6373,6V
121	Y1	1	66-490002-00	CRYSTAL,32.768KHZ,SEIKO_DS-VT-200
122	Y2	1	66-472010-00	CRYSTAL,3.6864MHZ
123	Y3	1	78-908028-00	OSC,12.500MHZ
124	J14	1	51-406047-00	CON,96P,DIN,TYPR,AMP650908-5
125				
126	R65	1	31-403223-00	RES,CHIP,1.27K,1/8W,1%,100PPM
127	R101	1	31-403347-00	RES,CHIP,24.9K,1/8W,1%,100PPM
128	XJ18	1	03-910766-01	MODULE,DRAM,2MX32,(8MEGABYTE)
129	XHS1-XHS5	A/R	88-298900-00	HEATSINK-COMPOUND
130	XHS1-XHS5	5	13-312004-00	KEPNUT,4-40,SST
131	XU40	1	54-910403-00	SOCKET,14DIP
132	R92-93	2	35-790017-00	RES,NET,SMT,033X8,SOMC1603330G,DA
133	CR11	1	66-393362-00	DIODE,DUAL,SCHOTTKY,SMT
134	HS6	1	66-901078-00	HEATSINK,THERMALLOY,2327B
135	XHS6	A/R	88-199744-00	THERMAL EPOXY ADHESIVE

ENSHNG	TYPE OR MODEL	NEXT ASSEMBLY
3800		

REQ	PART NUMBER	DESCRIPTION OR MATERIAL	ITEM

CONTENTS OF SCHEMATIC

SHEET 1	POWER SUPPLY
SHEET 2	ANALOG I/O
SHEET 3	CLK,68EC040 CPU,BUS BUFFERS
SHEET 4	X1,FPGA LOAD CONTROL
SHEET 5	X4 (DISP DATA,KBD,PWM),STATIC RAM,BATTERY
SHEET 6	X2 (SYNC SIGNALS,INTER.,ADC CTRL),FP LEADS
SHEET 7	X3,PARALLEL I/O,EEPROM,CALENDAR
SHEET 8	SERIAL I/O,CABLE ID,EFC ADDRESS
SHEET 9	PULL-UP RES.,TEST POINTS
SHEET 10	CONN (ROM,ETH,DRAM)
SHEET 11	CONN (DET,EFC,TEMP. PROBES)
SHEET 12	CONN (PWR,FP,SID,AOUT,PRNT-INTEG),SW,LEADS



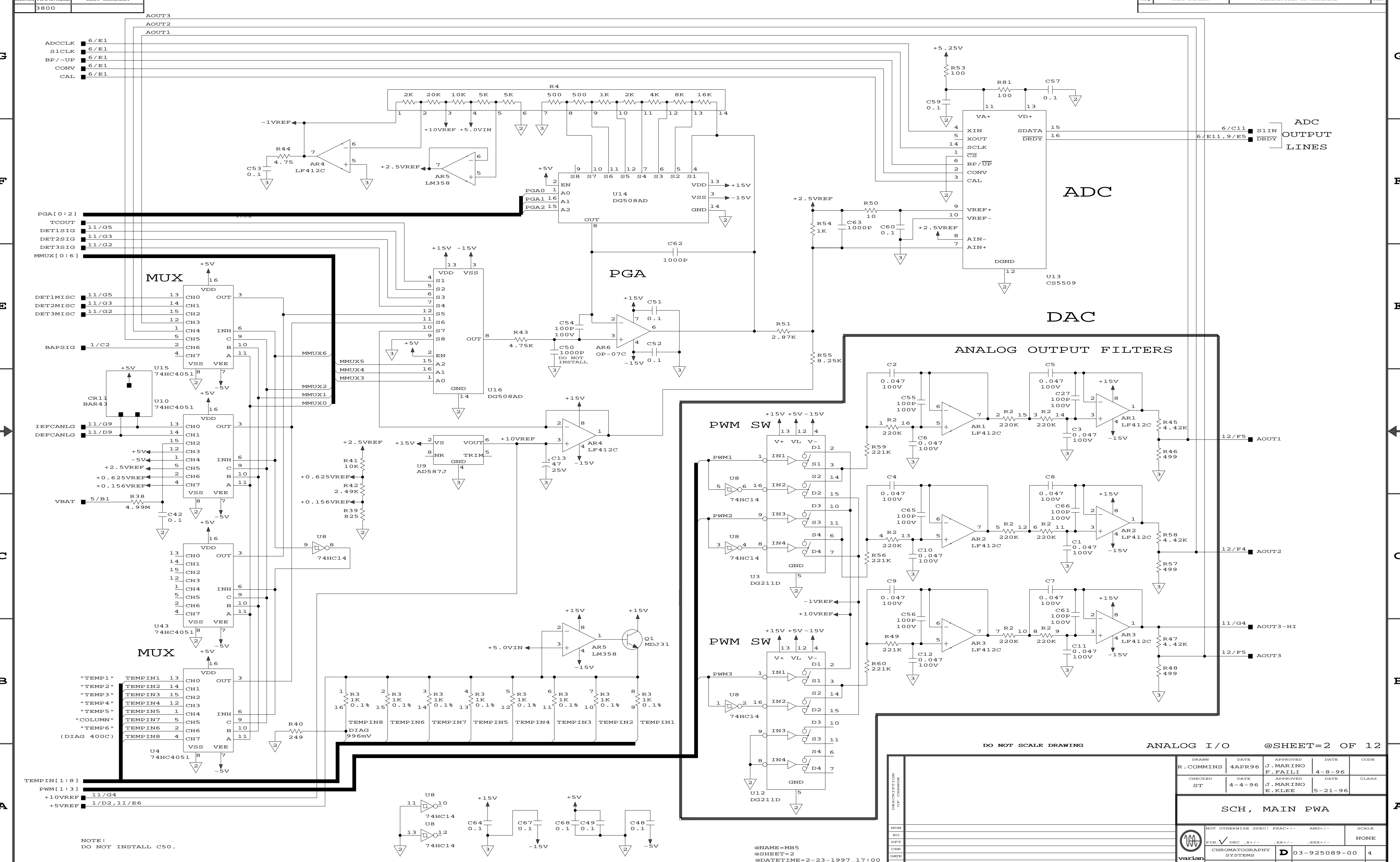
@SHEET=1 OF 12  
POWER SUPPLY

- 5. FOR A/W SEE 03-925088-00
  - 4. FOR FAB SEE DRAWING 03-925087-00. PART 03-925087-01.
  - 3. FOR ASSY SEE DRAWING 03-925086-00, PART 03-925086-01.
  - 2. ALL CAP'S ARE IN UF, 50V
  - 1. ALL RES'S ARE IN OHMS, MF, 1/4W, 1%, 100PPM
- NOTES: (UNLESS OTHERWISE SPECIFIED)

@NAME=MB5  
@SHEET=1  
@DATETIME=2-23-1997\_17:00

DESCRIPTION OR CHANGE	DATE	APPROVED	DATE	CODE
U20 TO 74HC540. SEE ECO C280, R18, R57.	19926	J. MARINO	4-8-96	
DELETE C280 FROM P/L	19926	J. MARINO	4-8-96	
NUMEROUS CHANGES SEE ECO 19926	19926	J. MARINO	4-8-96	
NUMEROUS CHANGES SEE ECO 19987	19987	J. MARINO	5-21-96	
NUMEROUS CHANGES SEE ECO 20113	20113	J. MARINO	5-21-96	

DRWN	R.COMMINS	DATE	4APR96	APPROVED	J. MARINO	DATE	4-8-96	CODE	
CHEK	ST	DATE	4-4-96	APPROVED	J. MARINO	DATE	5-21-96	CLASS	
<b>SCH, MAIN PWA</b>									
NOT OTHERWISE SPECIFIED									
FIN. DEC. .XX+/- .XXX+/- .XXX+/-									
CHROMATOGRAPHY SYSTEMS									
D 03-925089-00 4									
DIVISION SIZE DRAWING NO. REV									



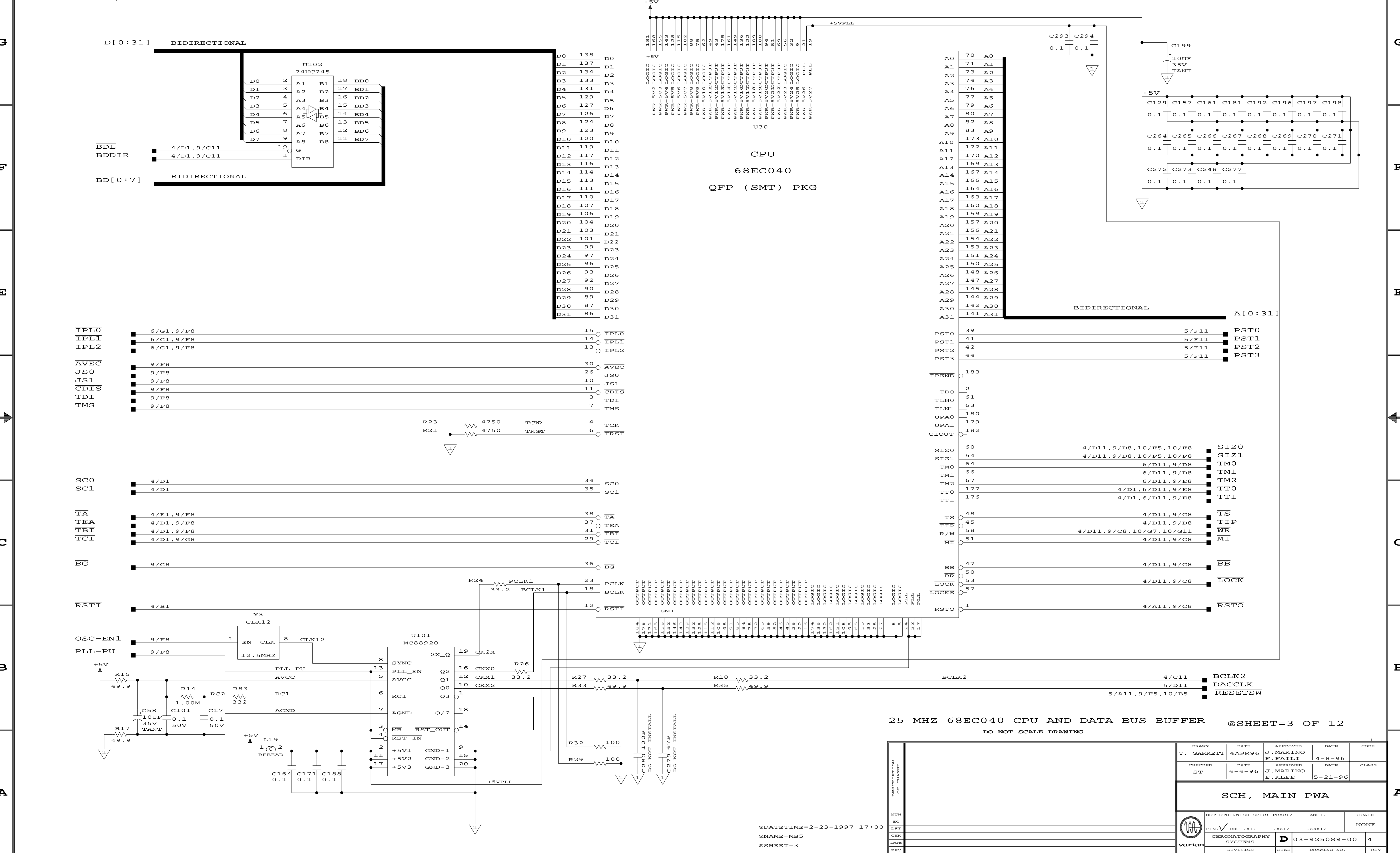
DO NOT SCALE DRAWING

ANALOG I/O @SHEET=2 OF 12

APPROVED	DATE	APPROVED	DATE	CODE
R.COMMINS	4APR96	J. MARINO	4-8-96	
CHECKED	DATE	APPROVED	DATE	CLASS
ST	4-4-96	J. MARINO	5-21-96	
<b>SCH, MAIN PWA</b>				
NOT OTHERWISE SPECI	FRAC+/-	ANG+/-	SCALE	
FIN	DEC .X+/-	.XX+/-	.XXX+/-	NONE
CHROMATOGRAPHY SYSTEMS		D 03-925089-00	4	
DIVISION	SIZE	DRAWING NO.	REV	

@NAME=MB5  
 @SHEET=2  
 @DATETIME=2-23-1997\_17:00





25 MHZ 68EC040 CPU AND DATA BUS BUFFER @SHEET=3 OF 12  
DO NOT SCALE DRAWING

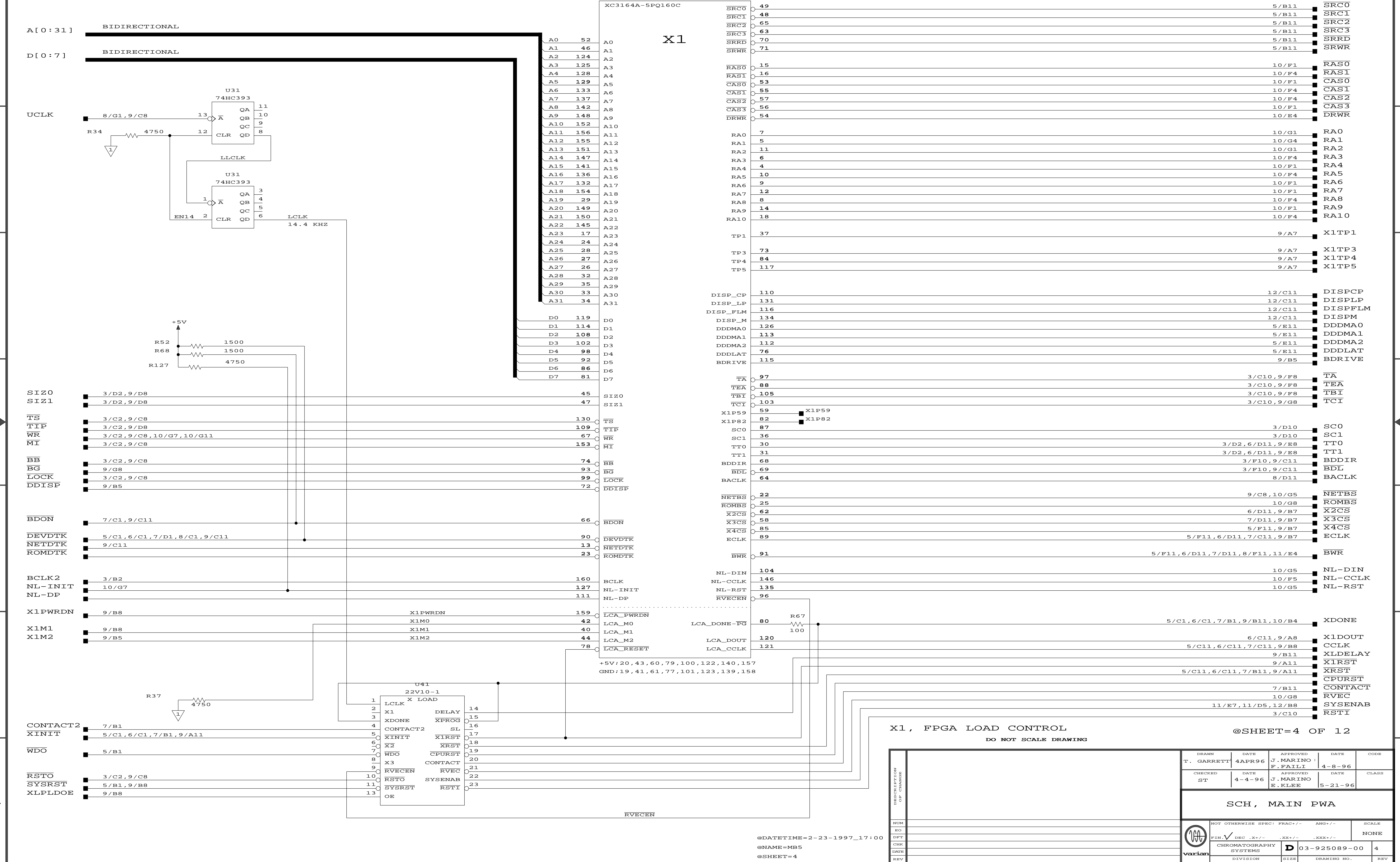
@DATETIME=2-23-1997\_17:00  
@NAME=MB5  
@SHEET=3

DRAWN	T. GARRETT	DATE	4APR96	APPROVED	J. MARINO	DATE	4-8-96	CODE	
CHECKED	ST	DATE	4-4-96	APPROVED	J. MARINO	DATE	5-21-96	CLASS	
<b>SCH, MAIN PWA</b>									
NOT OTHERWISE SPECI PRAC+/- ANG+/- SCALE									
FIN. ✓ DEC .X+/- .XX+/- .XXX+/- NONE									
CHROMATOGRAPHY SYSTEMS <b>D</b> 03-925089-00 4									
DIVISION SIZE DRAWING NO. REV									

REV	DATE	BY	CHKD	APP'D	DESCRIPTION
3800					

D 03-925089-00

REV	DATE	BY	CHKD	APP'D	DESCRIPTION

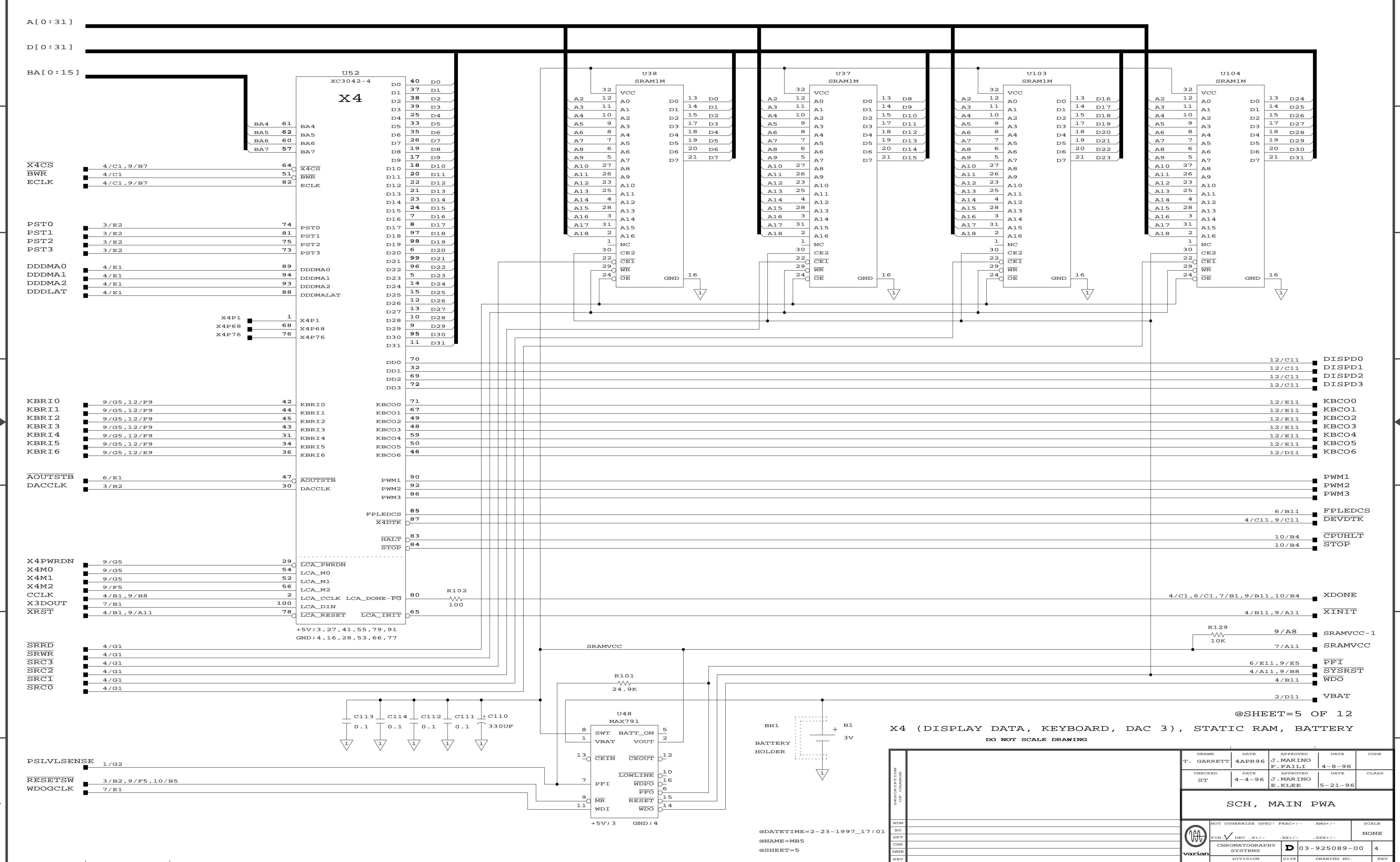


X1, FPGA LOAD CONTROL  
DO NOT SCALE DRAWING

@SHEET=4 OF 12

DESCRIPTION OF CHANGES	NUM	DATE	BY	CHKD	APP'D	DESCRIPTION																				
	EO																									
	DFT																									
	CHK																									
<table border="1"> <tr> <td>DRAWN</td> <td>T. GARRETT</td> <td>DATE</td> <td>4APR96</td> <td>APPROVED</td> <td>J. MARINO</td> <td>DATE</td> <td>4-8-96</td> <td>CODE</td> <td></td> </tr> <tr> <td>CHECKED</td> <td>ST</td> <td>DATE</td> <td>4-4-96</td> <td>APPROVED</td> <td>F. FALLI</td> <td>DATE</td> <td>5-21-96</td> <td>CLASS</td> <td></td> </tr> </table>							DRAWN	T. GARRETT	DATE	4APR96	APPROVED	J. MARINO	DATE	4-8-96	CODE		CHECKED	ST	DATE	4-4-96	APPROVED	F. FALLI	DATE	5-21-96	CLASS	
DRAWN	T. GARRETT	DATE	4APR96	APPROVED	J. MARINO	DATE	4-8-96	CODE																		
CHECKED	ST	DATE	4-4-96	APPROVED	F. FALLI	DATE	5-21-96	CLASS																		
<p>SCH, MAIN PWA</p>																										
<table border="1"> <tr> <td>NOT OTHERWISE SPECIFIED</td> <td>FRAC +/-</td> <td>ANG +/-</td> <td>SCALE</td> </tr> <tr> <td>FIN ✓ DEC .X +/- .XX +/- .XXX +/-</td> <td></td> <td></td> <td>NONE</td> </tr> <tr> <td>CHROMATOGRAPHY SYSTEMS</td> <td>D</td> <td>03-925089-00</td> <td>4</td> </tr> <tr> <td>DIVISION</td> <td>SIZE</td> <td>DRAWING NO.</td> <td>REV</td> </tr> </table>							NOT OTHERWISE SPECIFIED	FRAC +/-	ANG +/-	SCALE	FIN ✓ DEC .X +/- .XX +/- .XXX +/-			NONE	CHROMATOGRAPHY SYSTEMS	D	03-925089-00	4	DIVISION	SIZE	DRAWING NO.	REV				
NOT OTHERWISE SPECIFIED	FRAC +/-	ANG +/-	SCALE																							
FIN ✓ DEC .X +/- .XX +/- .XXX +/-			NONE																							
CHROMATOGRAPHY SYSTEMS	D	03-925089-00	4																							
DIVISION	SIZE	DRAWING NO.	REV																							

@DATETIME=2-23-1997\_17:00  
@NAME=MB5  
@SHEET=4



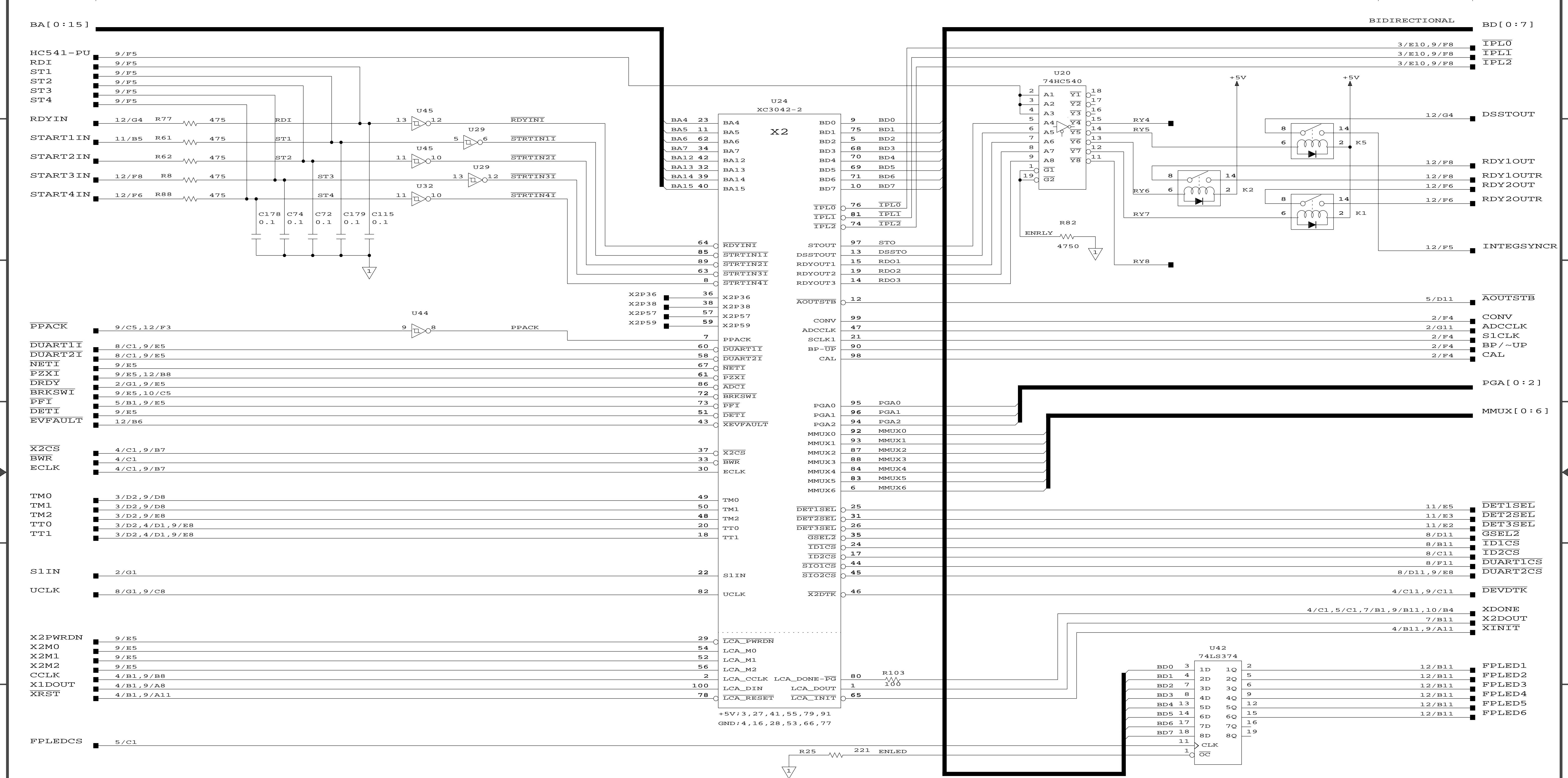
@SHEET=5 OF 12

X4 (DISPLAY DATA, KEYBOARD, DAC 3), STATIC RAM, BATTERY  
DO NOT SCALE DRAWING

DRAWN	T. GARRETT	DATE	4APR96	APPROVED	J. MARINO	DATE	4-8-96	CODE	
CHECKED	ST	DATE	4-4-96	APPROVED	F. FALLI	DATE	5-21-96	CLASS	
SCH, MAIN PWA									
NOT OTHERWISE SPECI PRAC+/- ANG+/- SCALE									
FIN ✓ DEC .X+/- .XX+/- .XXX+/- NONE									
CHROMATOGRAPHY SYSTEMS									
D 03-925089-00 4									
DIVISION SIZE DRAWING NO. REV									

DESCRIPTION	QUANTITY	REV

@DATETIME=2-23-1997\_17:01  
@NAME=MB5  
@SHEET=5



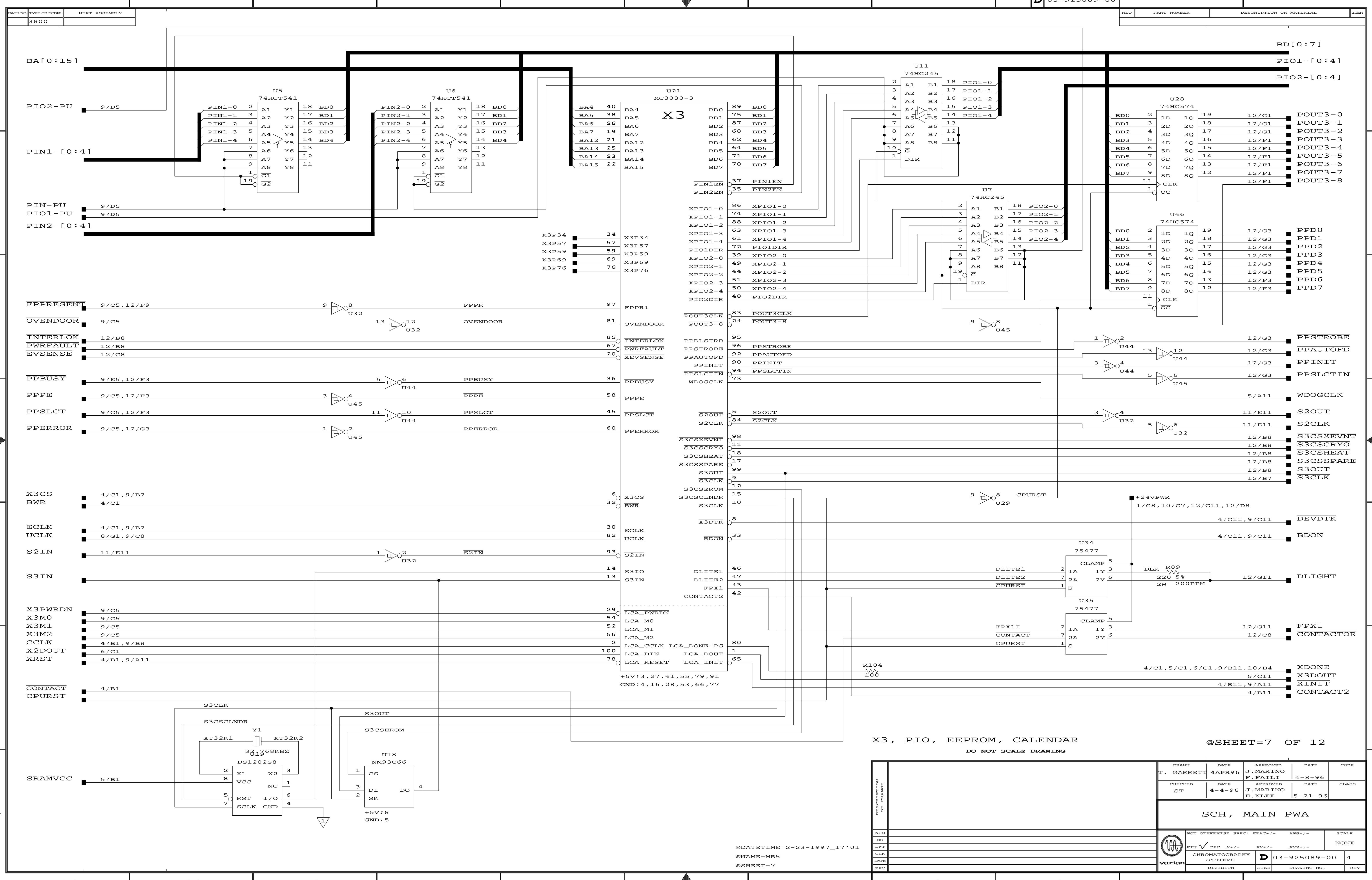
@SHEET=6 OF 12

X2 (SYNC SIGNALS, INTERRUPTS, ADC CONTROL), FP LEDs

DO NOT SCALE DRAWING

DESCRIPTION OF CHANGE	NUM	REV	DATE	APPROVED	CODE
	EO	DFT	CHK	ENR	REV
	DRAWN: T. GARRETT, DATE: 4APR96, APPROVED: J. MARINO CHECKED: ST, DATE: 4-4-96, APPROVED: J. MARINO, E. KLEE CLASS: 5-21-96				
	SCH, MAIN PWA				
NOT OTHERWISE SPECIFIED			FRAC+/-	ANG+/-	SCALE
FIN ✓ DEC .X+/-			.XX+/-	.XXX+/-	NONE
CHROMATOGRAPHY SYSTEMS			D 03-925089-00	4	
DIVISION		SIZE	DRAWING NO.		REV

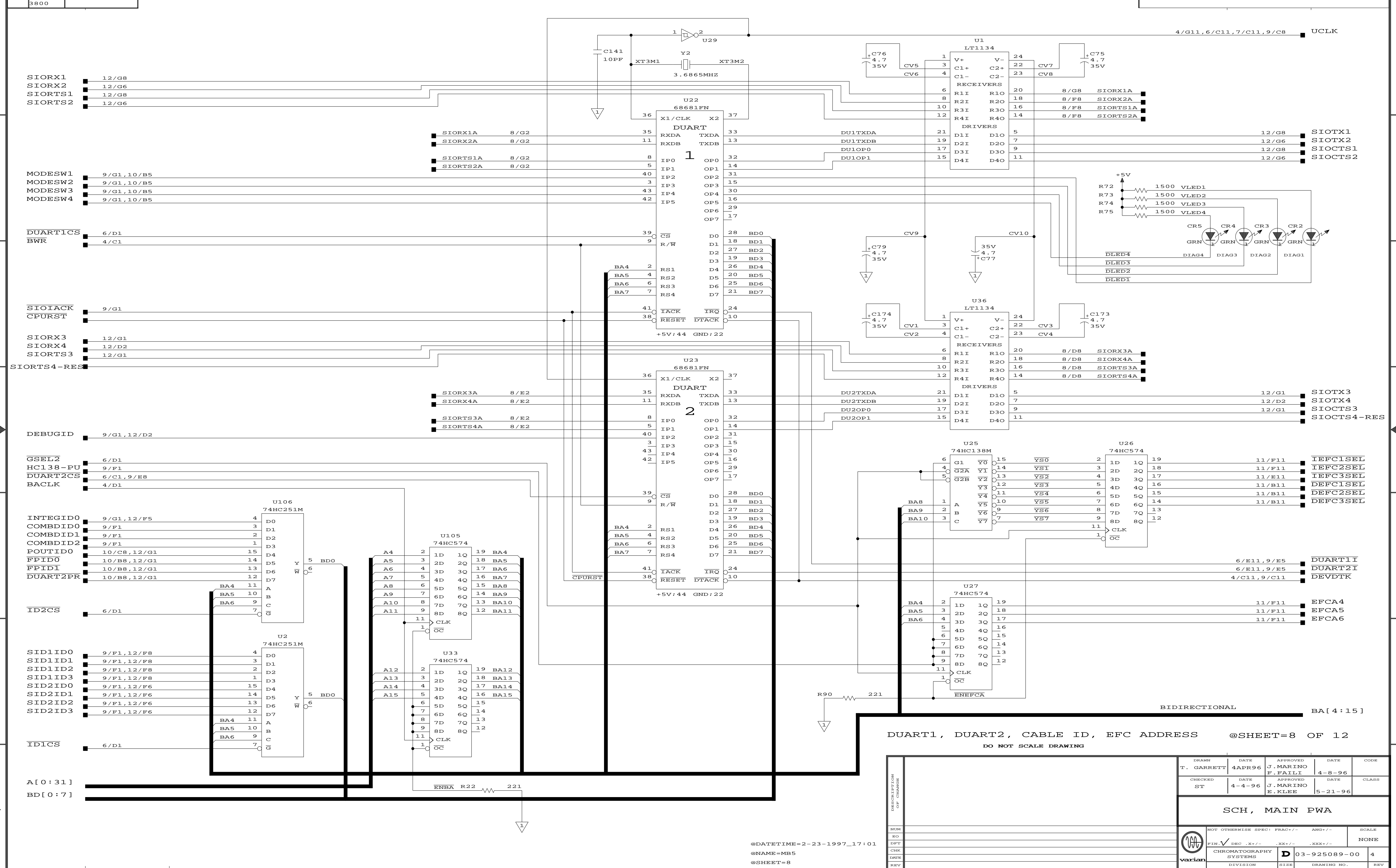
@DATETIME=2-23-1997\_17:01  
@NAME=MB5  
@SHEET=6



X3, PIO, EEPROM, CALENDAR @SHEET=7 OF 12  
DO NOT SCALE DRAWING

DESIGNATION REV	NUM	EO	DFT	CHK	ENR	REV																																																		
<table border="1"> <tr> <td>DRAWN</td> <td>DATE</td> <td>APPROVED</td> <td>DATE</td> <td>CODE</td> </tr> <tr> <td>F. GARRETT</td> <td>4APR96</td> <td>J. MARINO</td> <td>4-8-96</td> <td></td> </tr> <tr> <td>CHECKED</td> <td>DATE</td> <td>APPROVED</td> <td>DATE</td> <td>CLASS</td> </tr> <tr> <td>ST</td> <td>4-4-96</td> <td>J. MARINO</td> <td>5-21-96</td> <td></td> </tr> <tr> <td colspan="5" style="text-align: center;">SCH, MAIN PWA</td> </tr> <tr> <td colspan="5">NOT OTHERWISE SPECI PRAC+/- ANG+/- SCALE</td> </tr> <tr> <td colspan="5">FIN ✓ DEC .X+/- .XX+/- .XXX+/- NONE</td> </tr> <tr> <td colspan="5" style="text-align: center;">CHROMATOGRAPHY SYSTEMS</td> </tr> <tr> <td colspan="2">DIVISION</td> <td>SIZE</td> <td>DRAWING NO.</td> <td>REV</td> </tr> <tr> <td colspan="2">D</td> <td>03-925089-00</td> <td>4</td> <td></td> </tr> </table>							DRAWN	DATE	APPROVED	DATE	CODE	F. GARRETT	4APR96	J. MARINO	4-8-96		CHECKED	DATE	APPROVED	DATE	CLASS	ST	4-4-96	J. MARINO	5-21-96		SCH, MAIN PWA					NOT OTHERWISE SPECI PRAC+/- ANG+/- SCALE					FIN ✓ DEC .X+/- .XX+/- .XXX+/- NONE					CHROMATOGRAPHY SYSTEMS					DIVISION		SIZE	DRAWING NO.	REV	D		03-925089-00	4	
DRAWN	DATE	APPROVED	DATE	CODE																																																				
F. GARRETT	4APR96	J. MARINO	4-8-96																																																					
CHECKED	DATE	APPROVED	DATE	CLASS																																																				
ST	4-4-96	J. MARINO	5-21-96																																																					
SCH, MAIN PWA																																																								
NOT OTHERWISE SPECI PRAC+/- ANG+/- SCALE																																																								
FIN ✓ DEC .X+/- .XX+/- .XXX+/- NONE																																																								
CHROMATOGRAPHY SYSTEMS																																																								
DIVISION		SIZE	DRAWING NO.	REV																																																				
D		03-925089-00	4																																																					

@DATETIME=2-23-1997\_17:01  
@NAME=MB5  
@SHEET=7



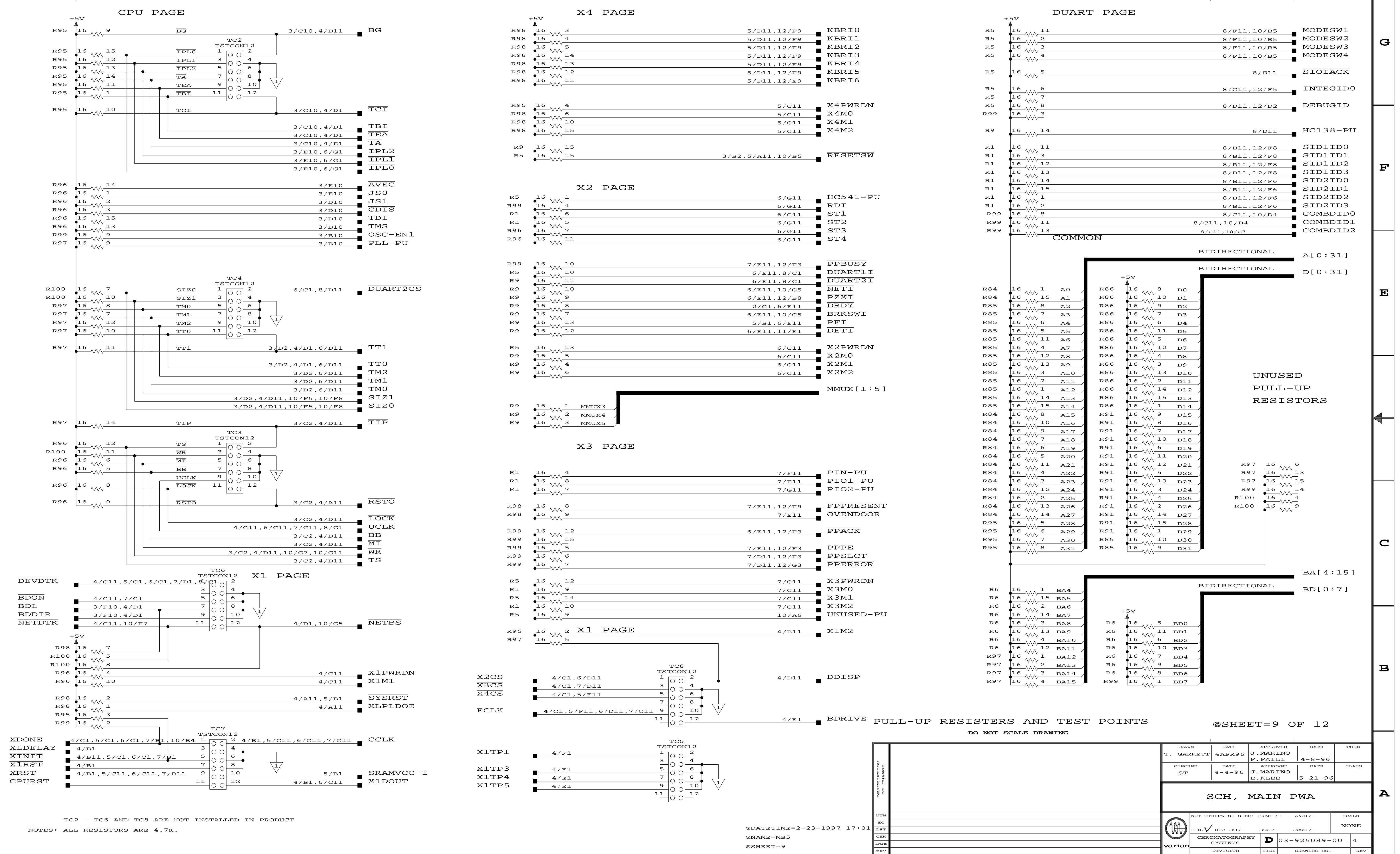
DUART1, DUART2, CABLE ID, EFC ADDRESS @SHEET=8 OF 12  
 DO NOT SCALE DRAWING

NUM	DESCRIPTION OR CHANGE	DATE	APPROVED	DATE	CODE
EO		4-APR-96	J. MARINO	4-8-96	
DFT			F. FALLI		
CHK		4-4-96	J. MARINO	5-21-96	
ENTR			E. KLEE		
REV					

SCH, MAIN PWA

NOT OTHERWISE SPECI	FRAC+/-	ANG+/-	SCALE
FIN ✓ DEC .X+/-	.XX+/-	.XXX+/-	NONE
CHROMATOGRAPHY SYSTEMS	D 03-925089-00	4	
DIVISION	SIZE	DRAWING NO.	REV

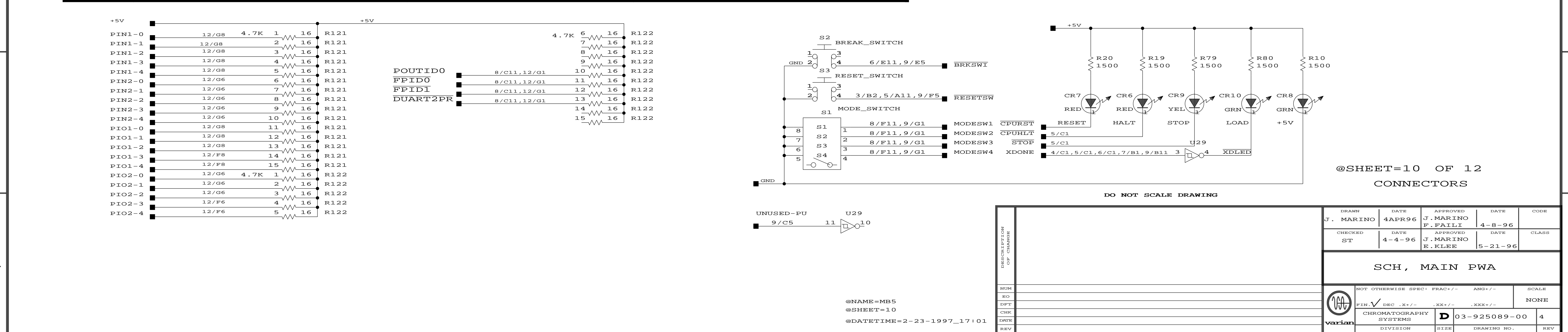
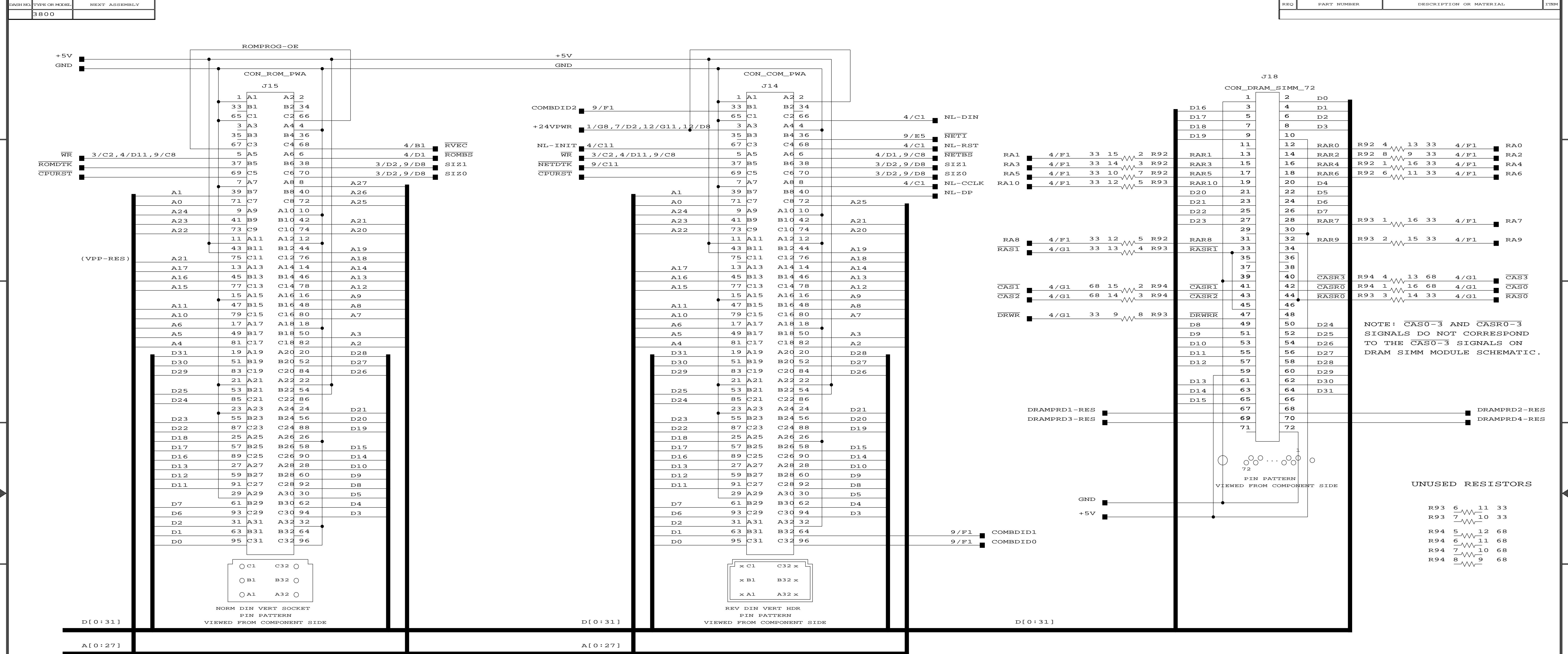
REV	DATE	BY	CHKD	DESCRIPTION
3800				



DRAWN		DATE		APPROVED		DATE		CODE	
T. GARRETT		4APR96		J. MARINO		4-8-96			
CHECKED		DATE		APPROVED		DATE		CLASS	
ST		4-4-96		J. MARINO		5-21-96			
<b>SCH, MAIN PWA</b>									
NOT OTHERWISE SPECI		FRAC+/-		ANG+/-		SCALE		NONE	
CHROMATOGRAPHY		SYSTEMS		D 03-925089-00		4			
DIVISION		SIZE		DRAWING NO.		REV			

TC2 - TC6 AND TC8 ARE NOT INSTALLED IN PRODUCT  
 NOTES: ALL RESISTORS ARE 4.7K.

@DATETIME=2-23-1997\_17:01  
 @NAME=MB5  
 @SHEET=9



@SHEET=10 OF 12  
CONNECTORS

DO NOT SCALE DRAWING

NUM	EO	DFT	CHK	ENR	REV

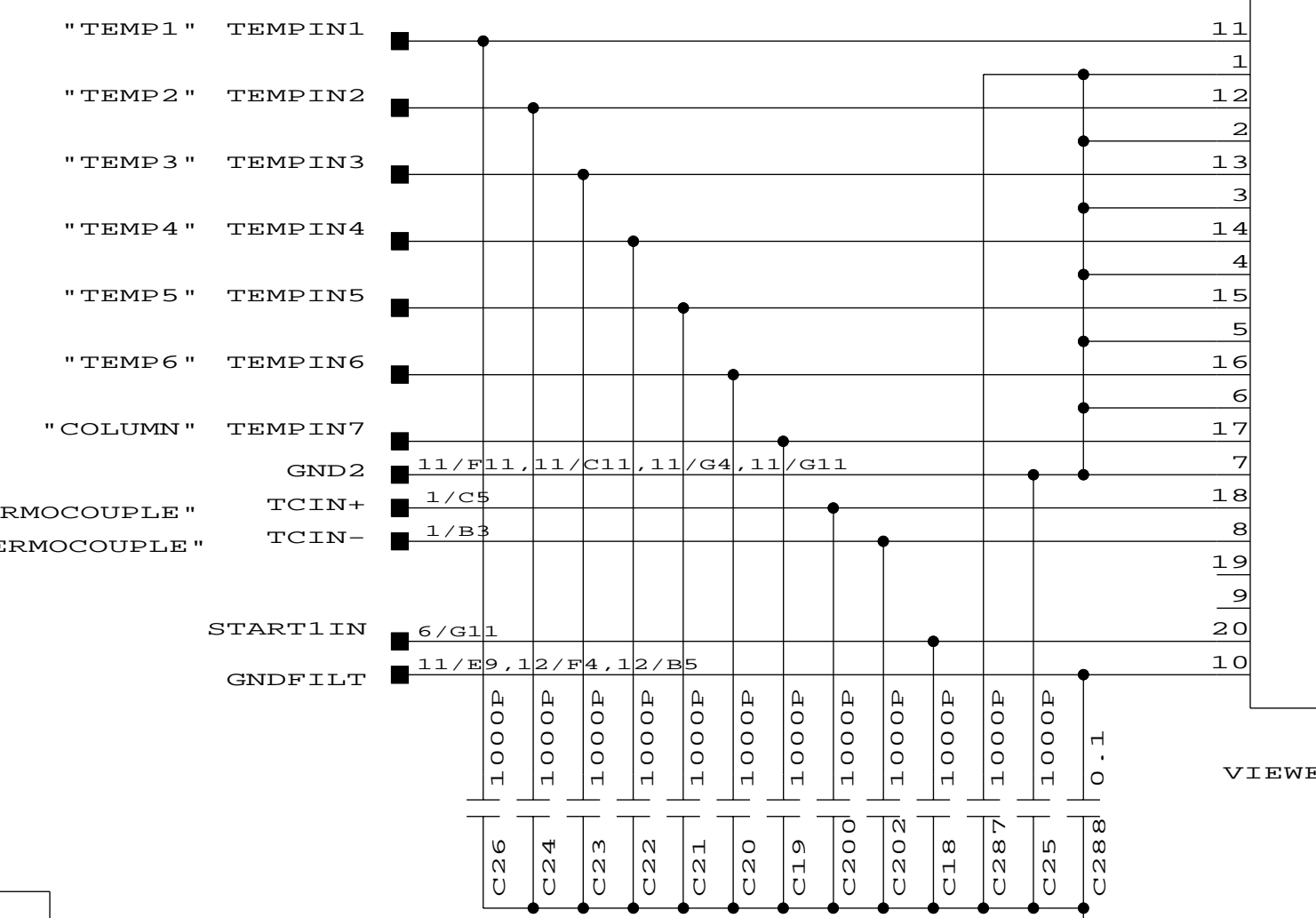
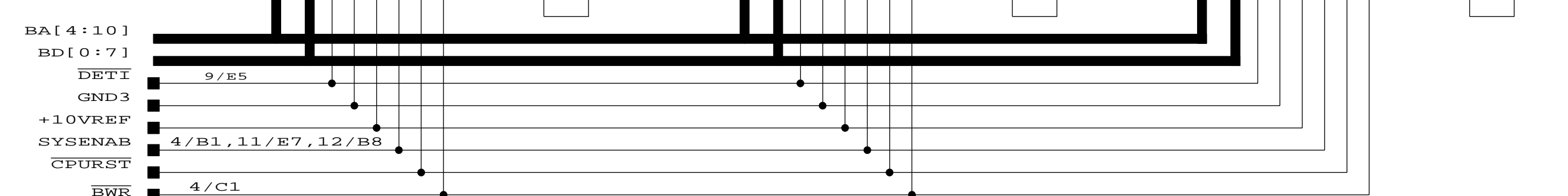
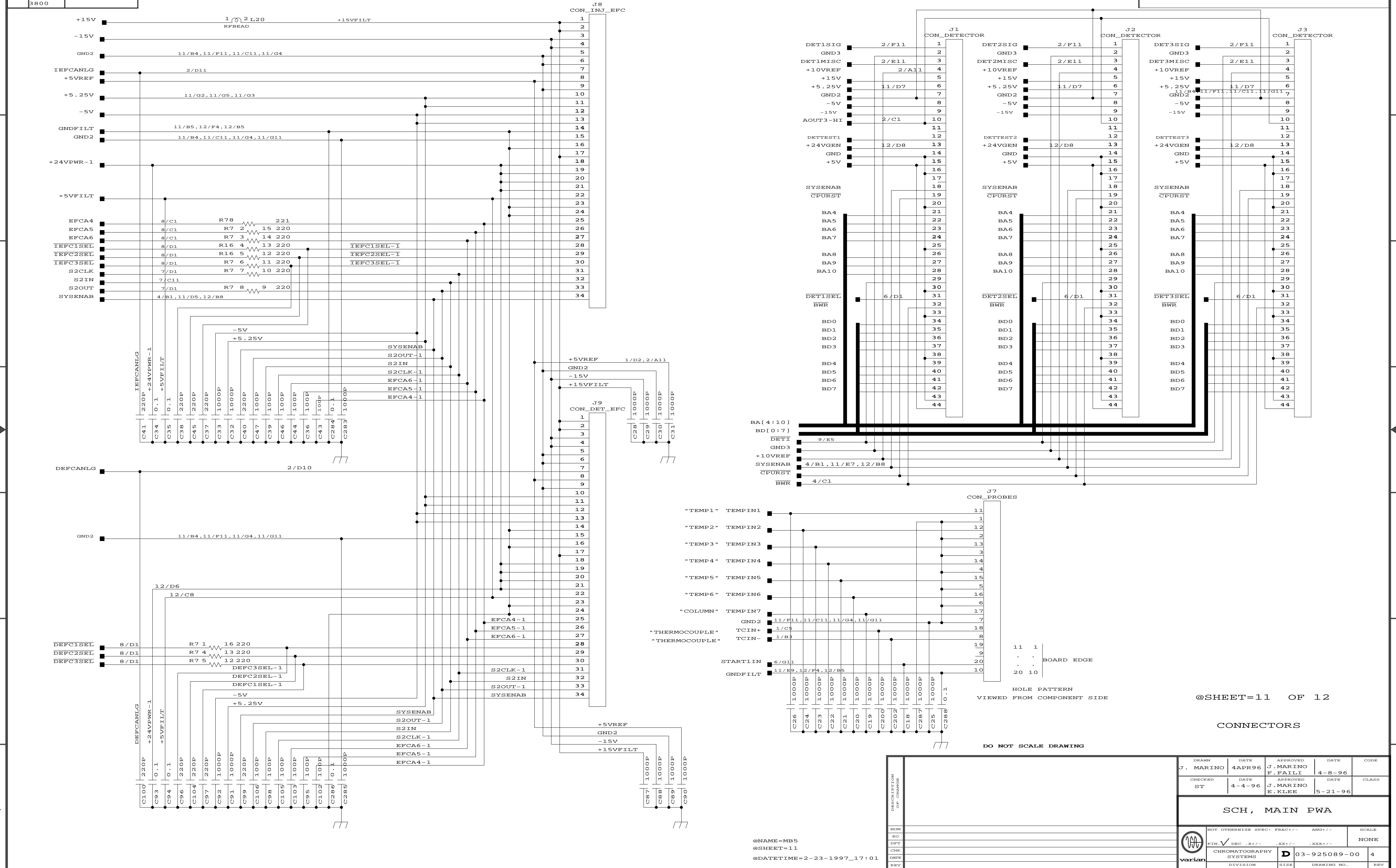
DRAWN	DATE	APPROVED	DATE	CODE
J. MARINO	4APR96	J. MARINO	4-8-96	
CHECKED	DATE	APPROVED	DATE	CLASS
ST	4-4-96	J. MARINO	5-21-96	

**SCH, MAIN PWA**

NOT OTHERWISE SPECI	FRAC+/-	ANG+/-	SCALE
FIN	DEC	.XX+/-	.XXX+/-
CHROMATOGRAPHY SYSTEMS	D	03-925089-00	4
DIVISION	SIZE	DRAWING NO.	REV

@NAME=MB5  
@SHEET=10  
@DATETIME=2-23-1997\_17:01





HOLE PATTERN  
VIEWED FROM COMPONENT SIDE

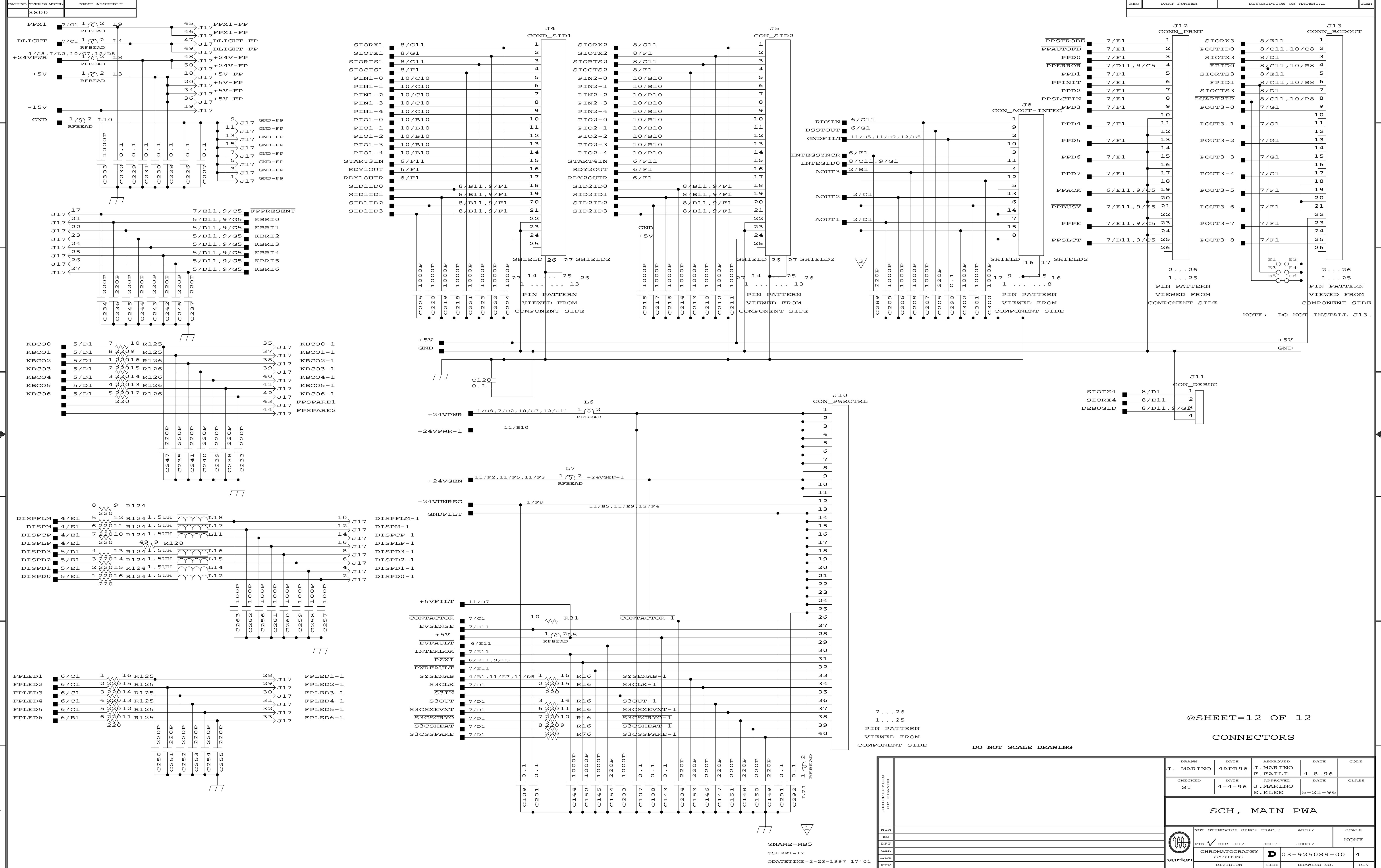
@SHEET=11 OF 12

CONNECTORS

DO NOT SCALE DRAWING

@NAME=MB5  
@SHEET=11  
@DATE=2-23-1997\_17:01

DESCRIPTION OF CHANGE	NUM	DATE	APPROVED	DATE	CODE
	EO	4APR96	J. MARINO	4-8-96	
	DFT	4-4-96	F. FALLI	5-21-96	
	CHK		J. MARINO		
CHK	ST		E. KLEE		
SCH, MAIN PWA					
NOT OTHERWISE SPECI PRAC+/- ANG+/- SCALE					
FIN ✓ DEC .X+/- .XX+/- .XXX+/- NONE					
CHROMATOGRAPHY SYSTEMS					
D 03-925089-00		4			
DIVISION		SIZE		DRAWING NO. REV	



@SHEET=12 OF 12  
CONNECTORS

DO NOT SCALE DRAWING

NUM	DESCRIPTION	DATE	BY	REV

DRAWN	DATE	APPROVED	DATE	CODE
J. MARINO	4APR96	J. MARINO	4-8-96	
CHECKED	DATE	APPROVED	DATE	CLASS
ST	4-4-96	J. MARINO	5-21-96	

SCH, MAIN PWA			
NOT OTHERWISE SPECI	FRAC+/-	ANG+/-	SCALE
FIN	DEC	.XXX+/-	NONE
CHROMATOGRAPHY SYSTEMS	D	03-925089-00	4
DIVISION	SIZE	DRAWING NO.	REV

@NAME=MB5  
@SHEET=12  
@DATETIME=2-23-1997\_17:01